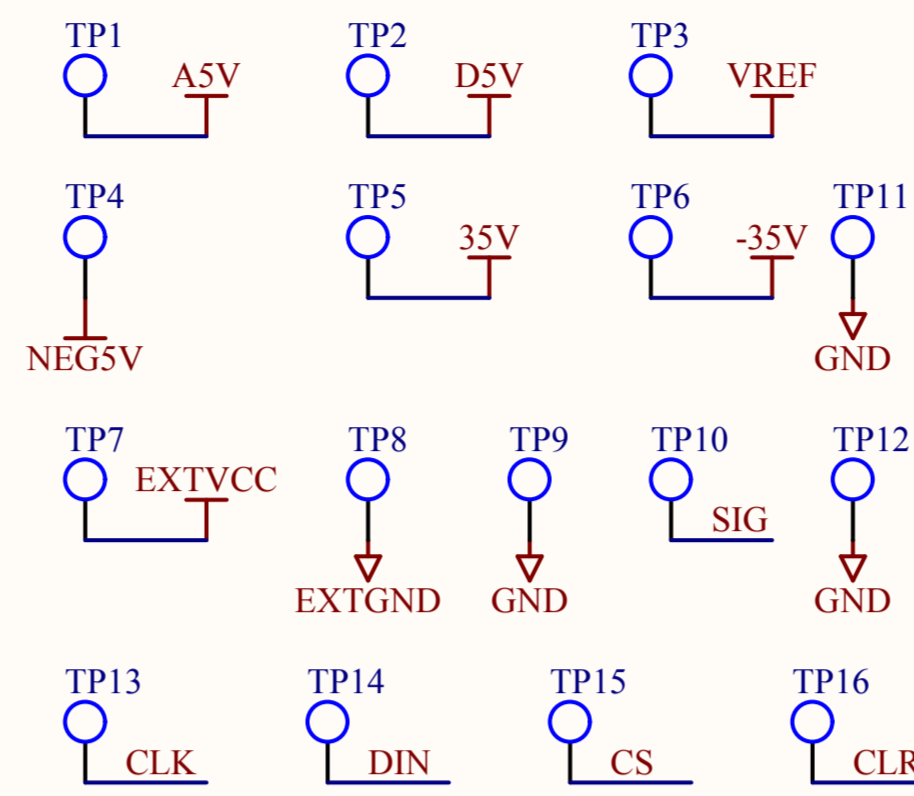
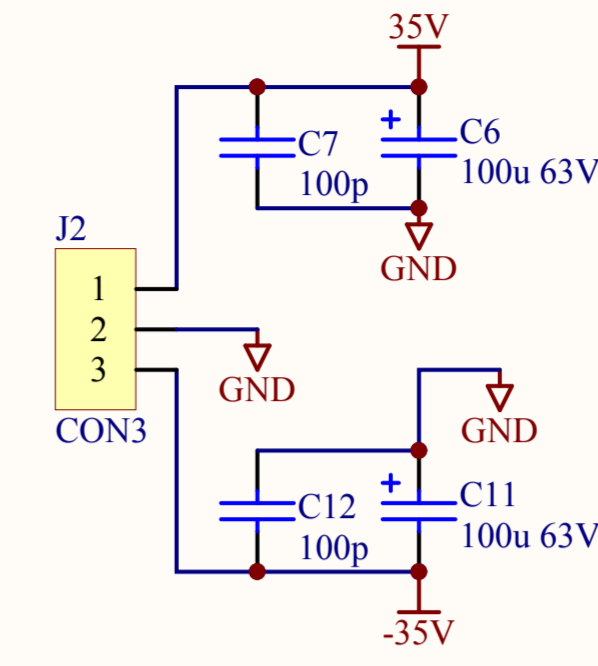


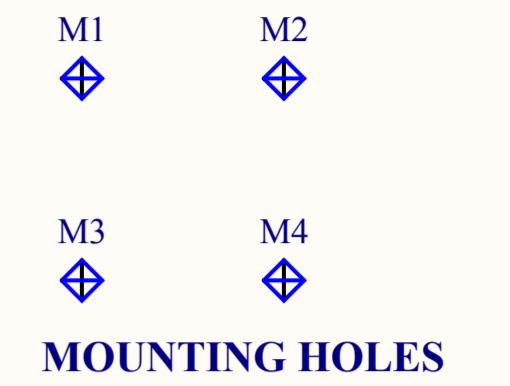
+/-5V SUPPLIES FOR DAC



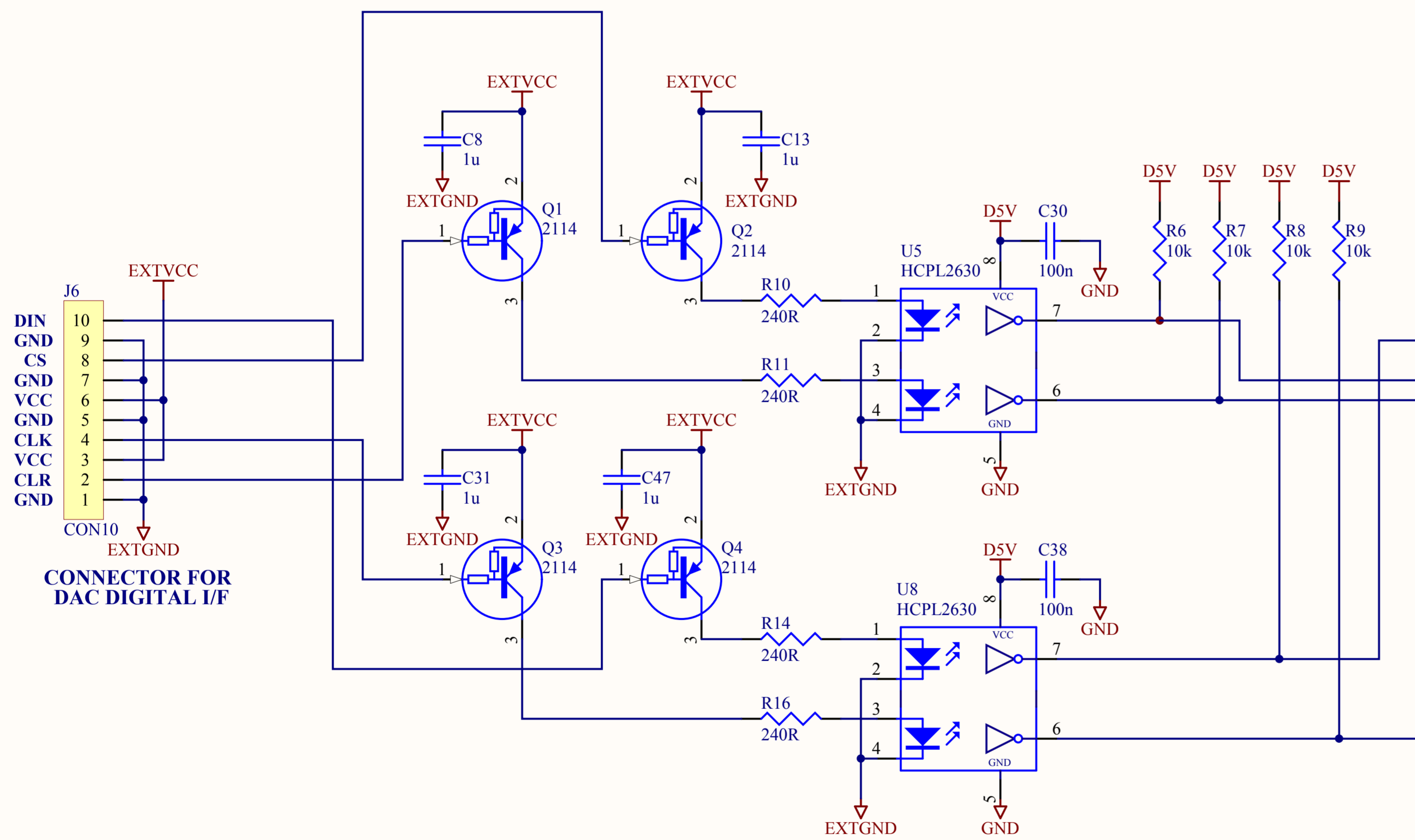
TESTPOINTS



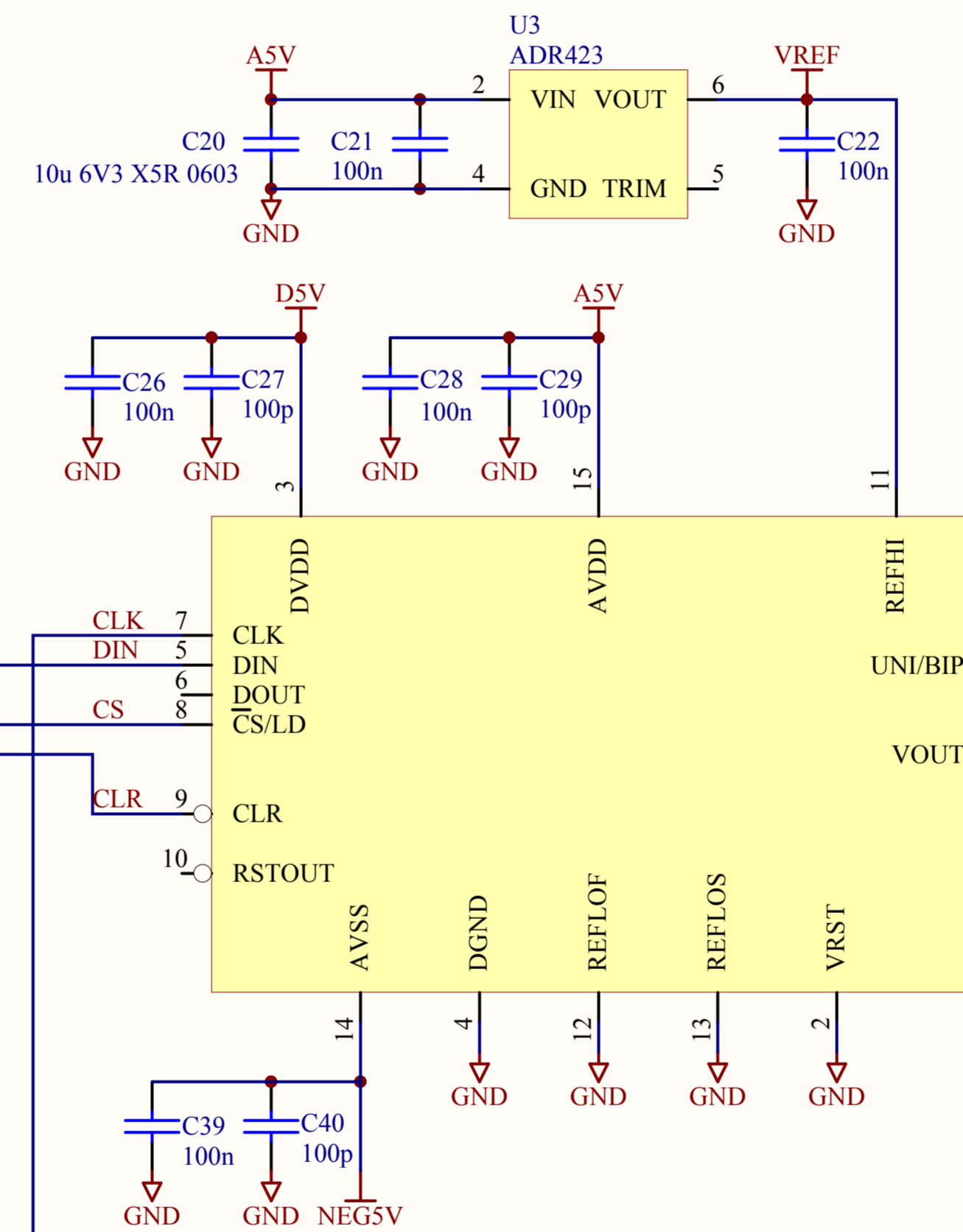
+/-35V DECOUPLING



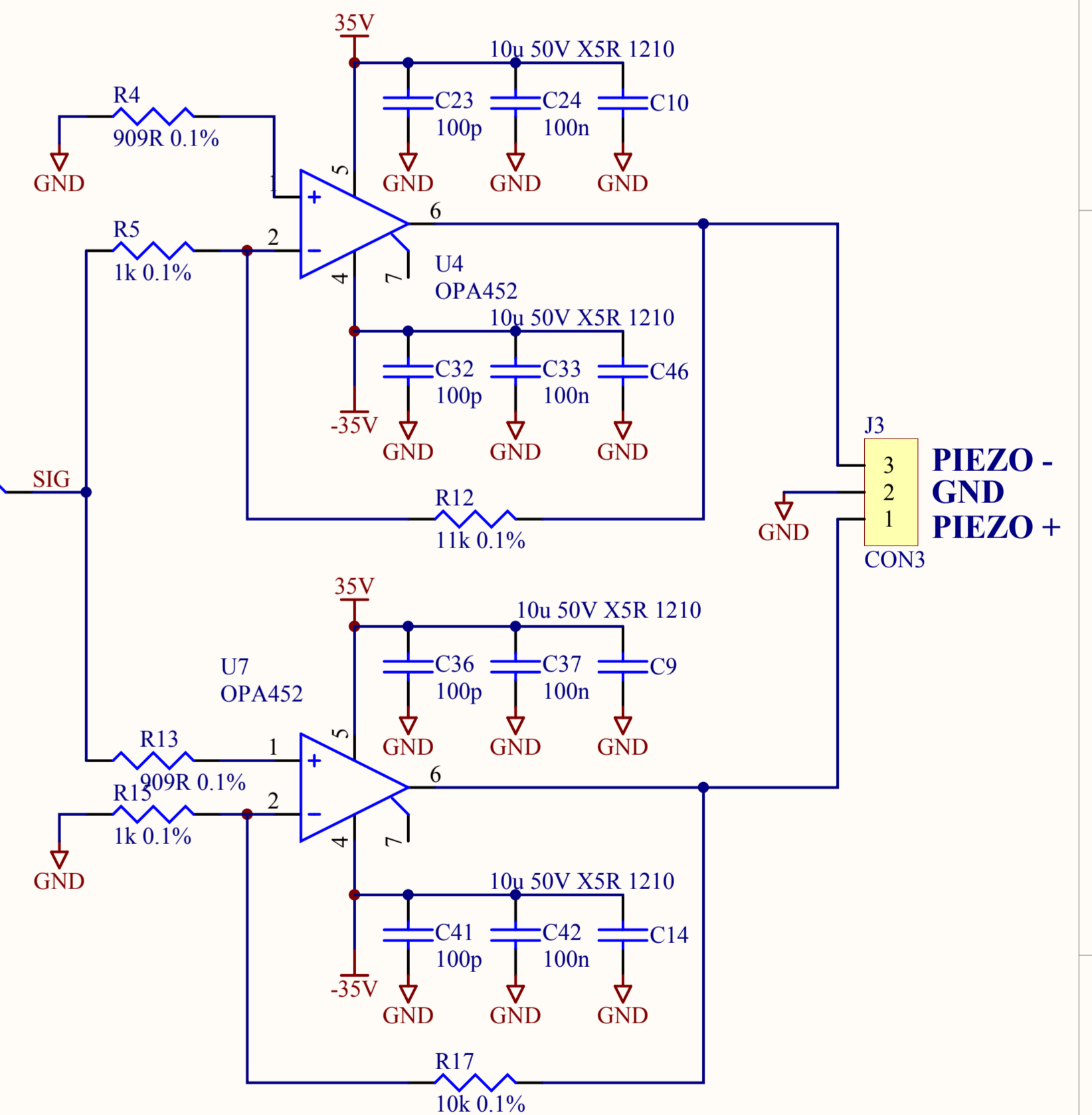
MOUNTING HOLES



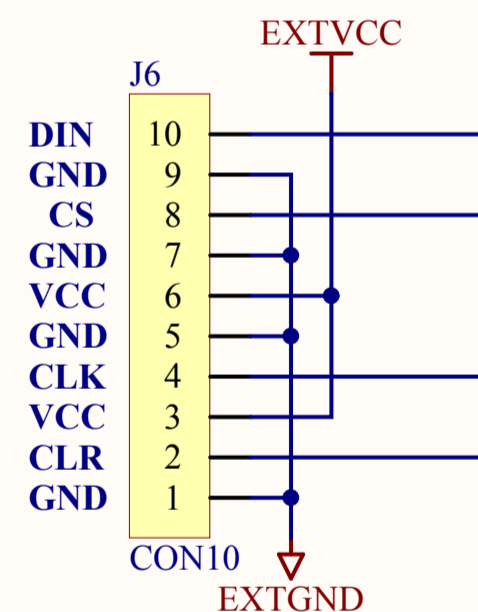
OPTOISOLATION FOR DAC COMMS



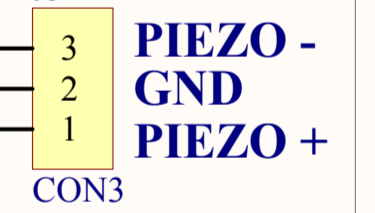
DAC



DIFFERENTIAL DRIVE OUTPUT

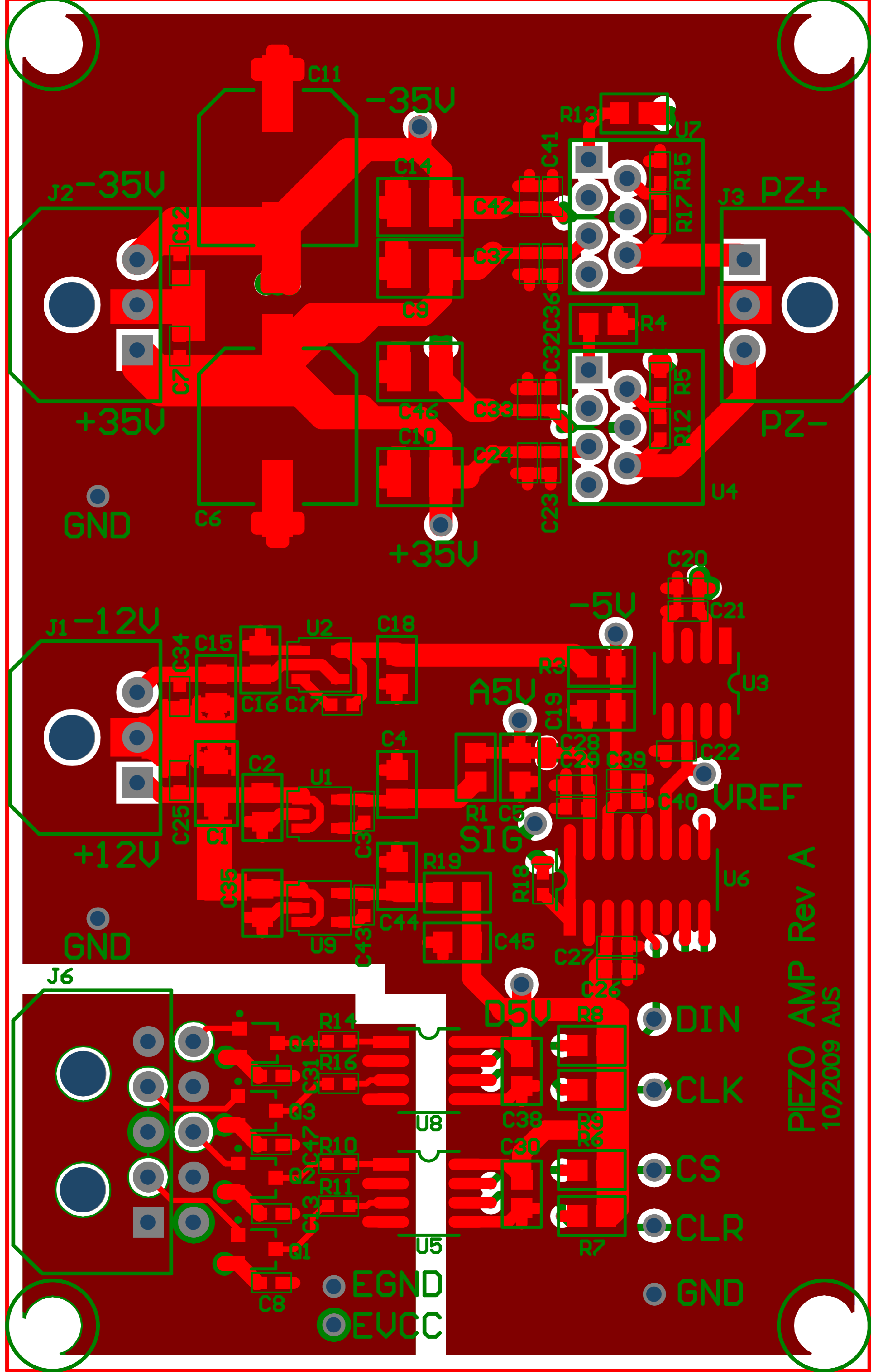


CONNECTOR FOR DAC DIGITAL I/F



PIEZO - GND PIEZO +

Title		
PIEZO AMP		
Size	Number	Revision
A3		A
Date:	16/10/2009	Sheet of
File:	C:\temp\PIEZO AMP\PIEZO AMP.Sch	Drawn By:



PIEZO AMP Rev A
10/2009 AJS