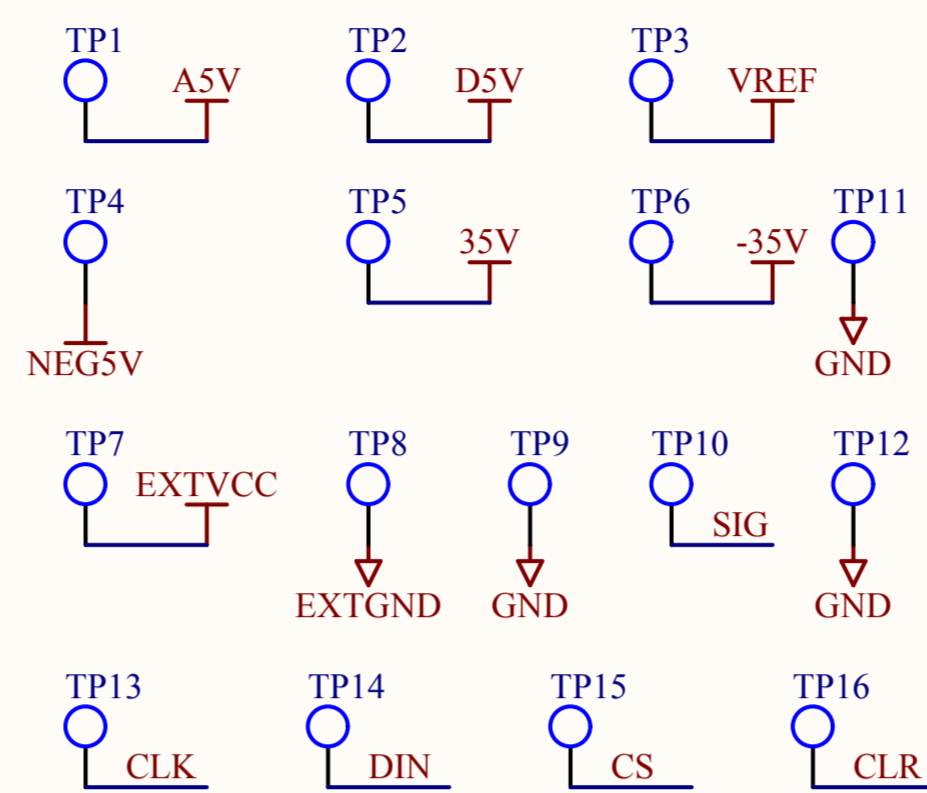
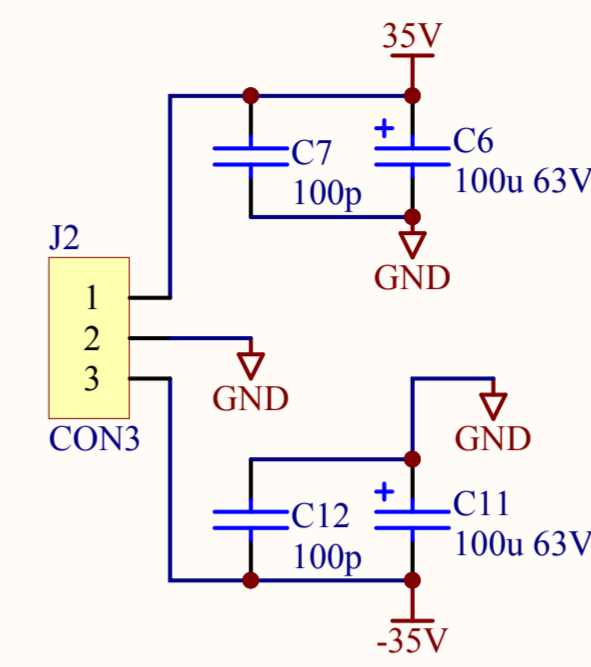


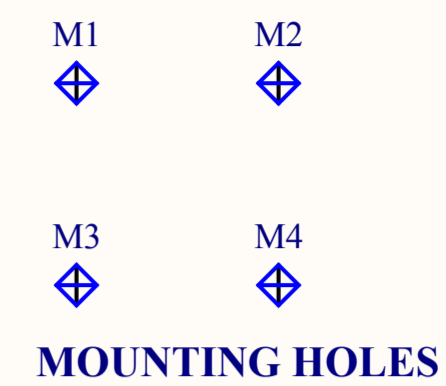
+/-5V SUPPLIES FOR DAC



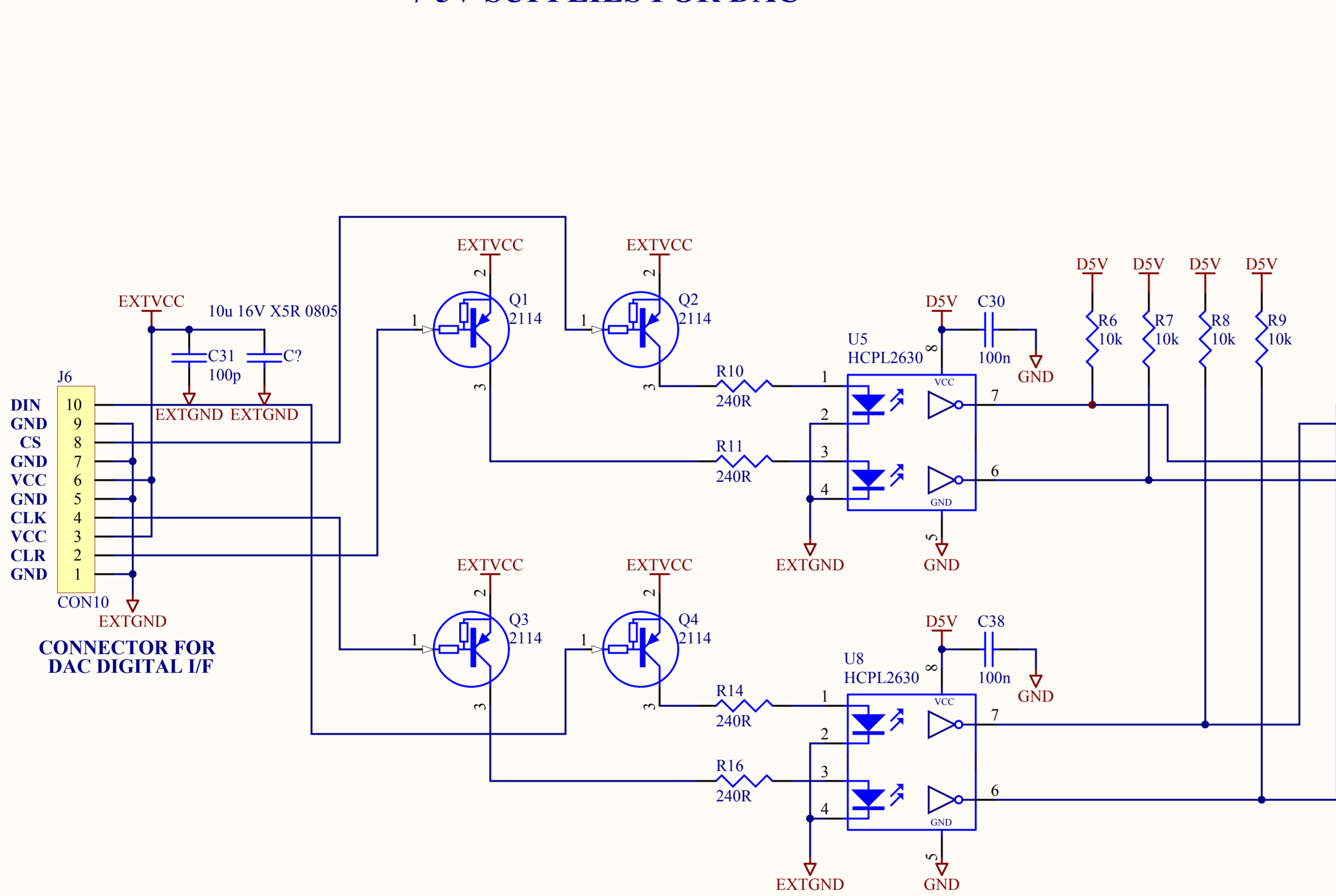
TESTPOINTS



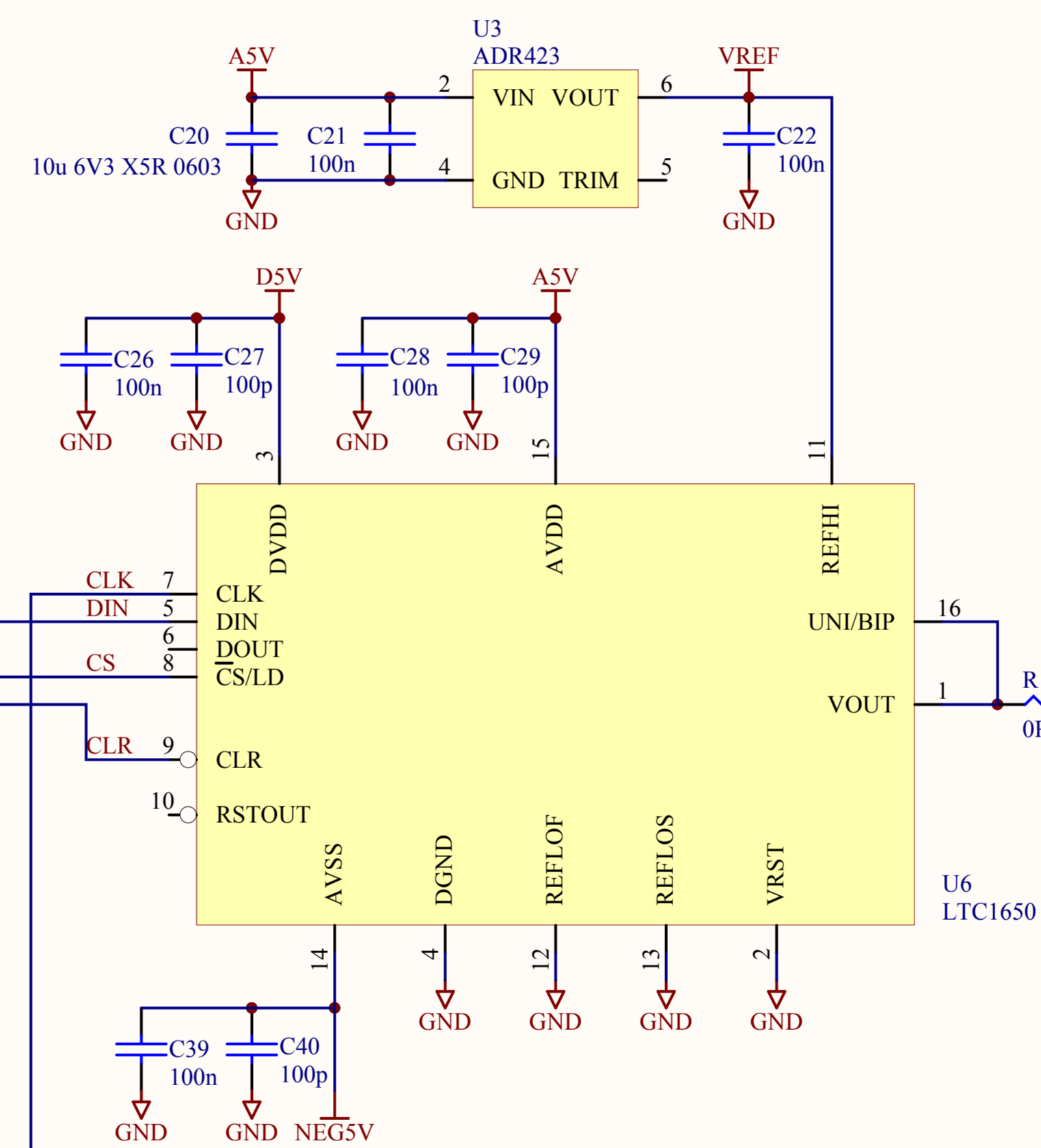
+/-35V DECOUPLING



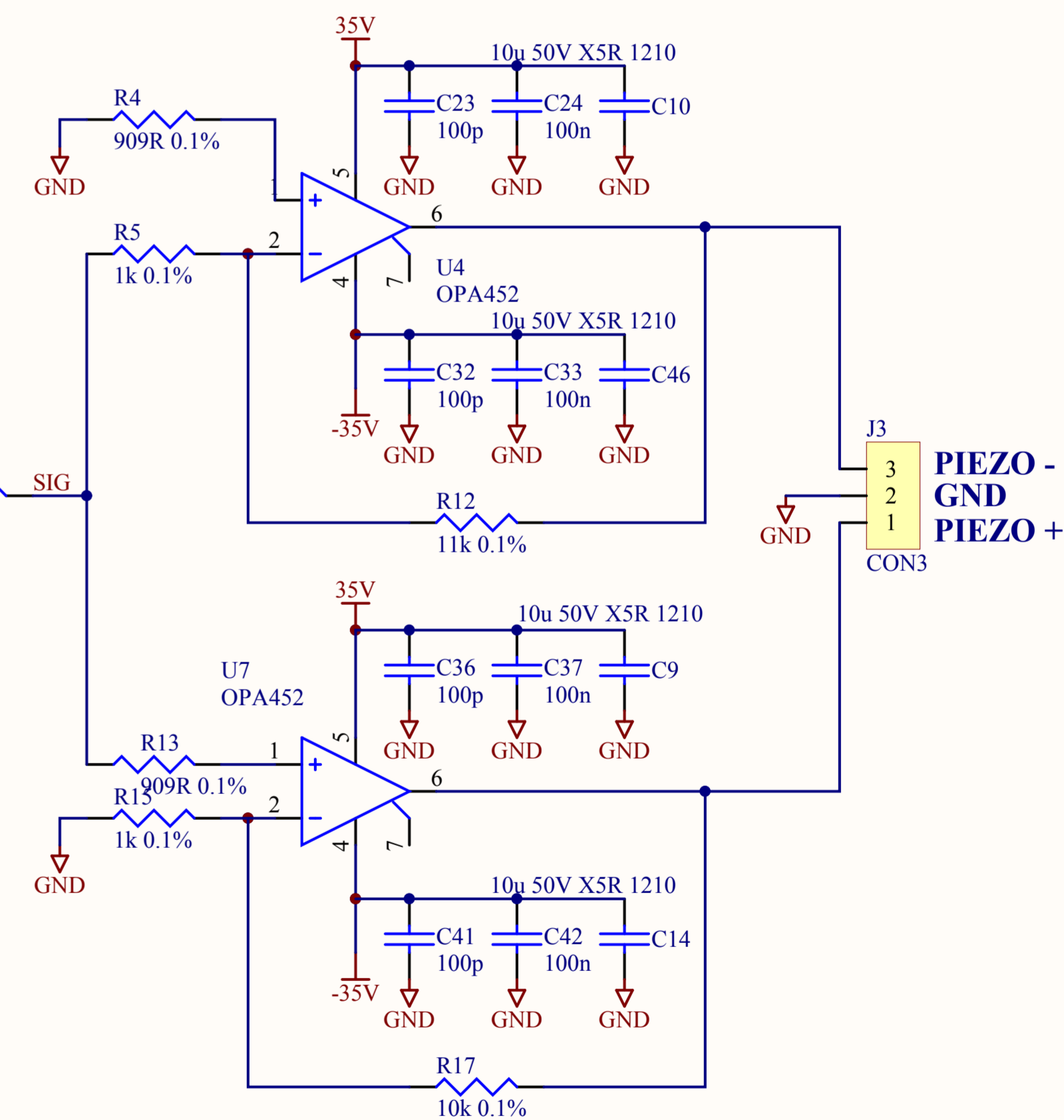
MOUNTING HOLES



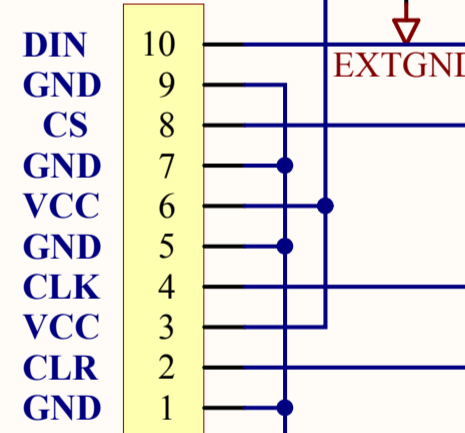
OPTOISOLATION FOR DAC COMMS



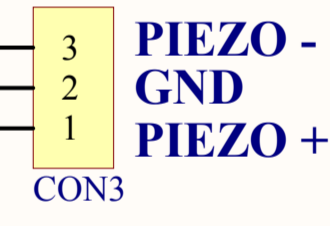
DAC



DIFFERENTIAL DRIVE OUTPUT



CONNECTOR FOR DAC DIGITAL I/F



PIEZO - GND PIEZO +

Title		
PIEZO AMP		
Size	Number	Revision
A3		A
Date:	10/13/2009	Sheet of
File:	C:\Projects\STM\PIEZO AMP\PIEZO AMP	Drawn By: